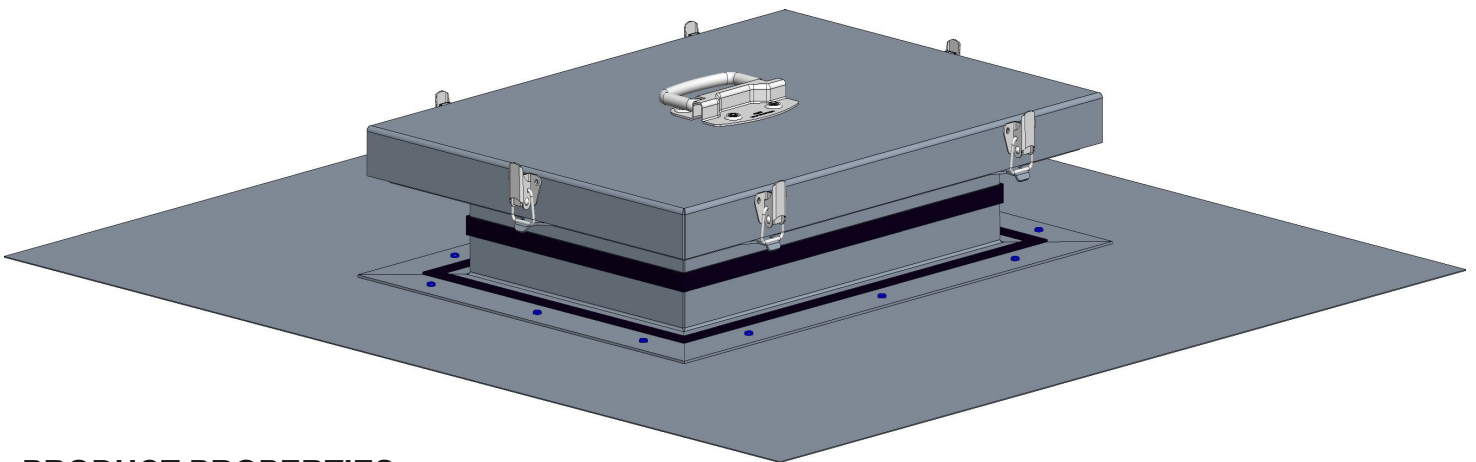


FIRESTOP DUCT HATCH TECHNICAL DATA SHEET

PRODUCT DESCRIPTION

The FIRESTOP Duct Hatch has been specifically designed to allow access to rectangular or circular fire-rated ducts whilst maintaining the duct's fire rating. It consists of an easily installed frame with a removable lid. The design of the FIRESTOP Duct Hatch is unique. All other hatches on the market require the prior installation of a non-fire rated hatch with the fire rated hatch then having to be installed on top. The FIRESTOP Duct Hatch does not require that step, thereby saving time and money. The unique design of the FIRESTOP Duct Hatch minimizes air flow disruption, even for circular ducts.

The FIRESTOP Duct Hatch is designed and manufactured in New Zealand and has been locally tested in vertical and horizontal orientations for internal and external fire to AS1530.4 2014 Section 9 and is fully compliant with NZBC.



PRODUCT PROPERTIES

- Available for rectangular or circular ducts
- Tested to AS1530.4-2014 achieving FRR -/120/120
- Passive fire protection systems designed & developed for the NZ construction market
- Does not require the prior installation of a non-fire rated hatch
- Frame is easily installed with standard rivet gun
- Maintains duct air flow
- All hatches are 90mm deep
- Hatches for circular ducts from 300mm diam made to measure upon order
- Three convenient duct hole sizes for rectangular ducts:
Large (450 x 330mm) Medium (330 x 200mm) Small (200 x 120mm) (Up to 650 x 450mm available on request)

INSTALLATION

The FIRESTOP Duct Hatch is easily installed with a standard rivet gun for rectangular or circular ducts by following these simple steps:

- Cut the hole in the duct using the frame as a template and apply a bead of sealant to the duct
- Rivet the frame into place using the pre-drilled holes in the frame and install a collar of Protecta FR Board
- Position the lid in the frame and secure with the convenient clamps
- Install FIRESTOP Duct Wrap around the frame

Your hatch is now installed - it is that simple!